

347V-480V LED DRIVER 200W 0-10V Dimming

Output Range 34V to 57V Constant Current **3.5A** Max **200W**

347V-480V Electronic Constant Current 3500mA LED Driver 0-10V Dimming. Output Range of 34V to 57V for Single circuit 200W maximum.

Technical Specification:

Class 1 UL, CUL Recognized, ROHS Compliant
 EMI FCC Parts 18, Subparts C, Class A
 Rating: IP 65 Damp, Dry
 Output Open/Short Protection
 Min. Starting Temp: - 40° C
 Max. Case Temp: 90° C
 Typical Efficiency: 90%

Input Voltage range: $\pm 10\%$
 Output Load range $\pm 5\%$
 Input Frequency: 50/60HZ
 THD: < 20%
 Power Factor Min: 0.90
 Remote Wiring Distance Full Load: 18AWG -18 ft

Case Size: Series FS5

Due to continuing efforts to offer improved products all specifications are subject to change without prior notice

INPUT VOLTAGE	INPUT CURRENT	INPUT WATTS	OUTPUT POWER WATTS MAX	OUTPUT VOLTAGE	OUTPUT CURRENT AMPS	MODEL
347-480V	0.64A – 0.46A	222	200	34 to 57V	3.5A	NCF3500C200WSD

LIMITED WARRANTY

5 YEAR at maximum case temperature 75 deg C. 3 YEAR at maximum case temperature 90 deg C. Manufacturer warrants to the purchaser: Product will be free from defects in material or workmanship from the date of manufacture conditioned upon proper storage, installation, use, and maintenance and conformance with any recommendations of Manufacturer

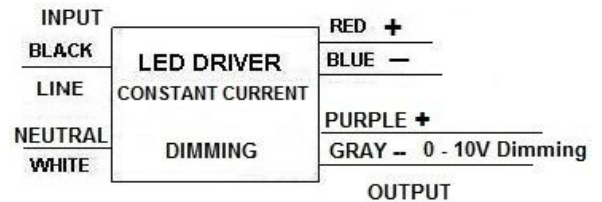
Lead Length

Colour	inch	cm
Black	5.9	15
White	5.9	15
Blue	5.9	15
Red	5.9	15
Gray	5.9	15
Purple	5.9	15

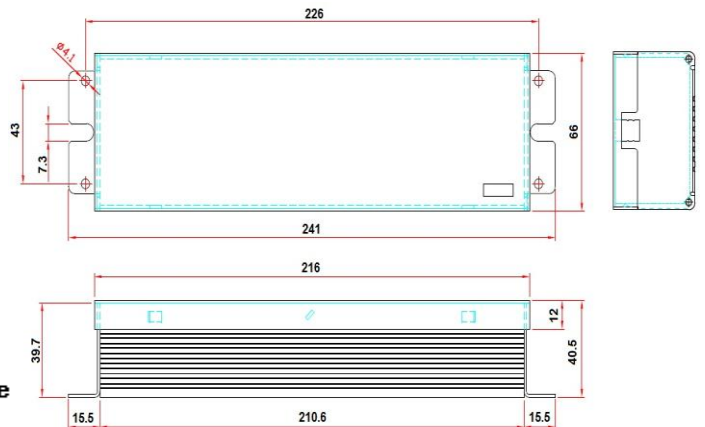
0-10V Dimmer

Compatibility Chart

LEVITON	LUTRON
DS710-10Z	NFTV
	DVTV-WH



Series FS5
Case Size: L 241mm 9.5inch, W 66mm 2.6inch, H 40.5mm 1.6inch, ML 226mm 8.9inch



WARNING: Always Disconnect Power Before Handling.
Case Should be Grounded. Install in Accordance with National and Local Electrical Codes.

1500 Marine Drive, #200 North Vancouver, BC V7P 1T7
 TEL: 604-904-9533 FAX: 604-904-9634
 EMAIL: sagelighting@shaw.ca www.sagelighting.com

Sage Lighting Ltd.