

# LED DRIVER 30W 0-10V Dimming

Output Range 27V to 45V Constant Current 650mA Max 30W  
IP67 Class 2

Universal Voltage 120-277V Electronic Constant Current LED Driver 0-10V Dimming. Output Range of 27V to 45V for Single circuit 30W maximum.

## Technical Specification:

Class 2 UL, CUL Recognized, ROHS Compliant  
EMI FCC Parts 18, Subparts C, Class A  
Rating: **IP67**,  
Output Open/Short Protection  
Min. Starting Temp: - 40° C  
Max. Case Temp: 90° C  
Typical Efficiency: 86%

Input Voltage range: **+ 10%**  
Output Load range **+ 5%**  
Input Frequency: **50/60HZ**  
THD: **< 20%**  
Power Factor Min: **0.95**  
Remote Wiring Distance Full Load: **18AWG -18 ft**

**Case Size: Series C10**

Due to continuing efforts to offer improved products all specifications are subject to change without prior notice

INPUT VOLTAGE	INPUT CURRENT	INPUT WATTS	OUTPUT POWER WATTS MAX	OUTPUT VOLTAGE	OUTPUT CURRENT AMPS	MODEL
120	0.4A	35	30	27 to 45V	0.65A	<b>NU650C30WSD-IP67</b>
277	0.17A					

### LIMITED WARRANTY

5 YEAR at maximum case temperature 75 deg C. 3 YEAR at maximum case temperature 90 deg C. Manufacturer warrants to the purchaser: Product will be free from defects in material or workmanship from the date of manufacture conditioned upon proper storage, installation, use, and maintenance and conformance with any recommendations of Manufacturer

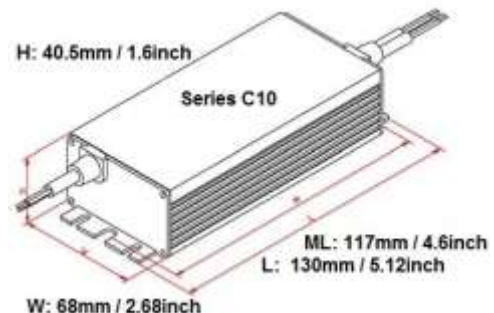
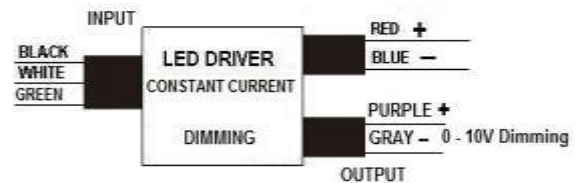
### Lead Length

Colour	inch	cm
Black	5.9	15
White	5.9	15
Blue	5.9	15
Red	5.9	15
Gray	5.9	15
Purple	5.9	15

### 0-10V Dimmer

#### Compatibility Chart

LEVITON	LUTRON
DS710-10Z	NFTV
	DVTV-WH



Case Size:	L	W	H	ML
Series C10	130mm	68mm	40.5mm	117mm
	5.12inch	2.68inch	1.6inch	4.6inch

**WARNING: Always Disconnect Power Before Handling.**  
**Case Should be Grounded. Install in Accordance with National and Local Electrical Codes.**

1500 Marine Drive, #200 North Vancouver, BC V7P 1T7  
TEL: 604-904-9533 FAX: 604-904-9634  
EMAIL: sagelighting@shaw.ca www.sagelighting.com

*Sage  
Lighting Ltd.*