

LED DRIVER 50W 0-10V Dimming

Output Range 24V to 40V Selectable Multi Current 1.1A to 1.25A **Max 50W Class 2** with Input leads and Output terminal blocks for Panel Lights

Universal Voltage 120-277V Electronic **Selectable Multi Current** 1100mA to 1250mA LED Driver 0-10V Dimming. Output Range of 24V to 40V for Single circuit 50W maximum.

Technical Specification:

Class 2 UL, CUL Certified, ROHS Compliant
EMI FCC Parts 18, Subparts C, Class A
Rating: IP 30 Damp, Dry Class 2
Output Open/Short Protection
Min. Starting Temp: - 40° C
Max. Case Temp: 90° C
Typical Efficiency: 88%



Input Voltage range: $\pm 10\%$
Output Load range $\pm 5\%$
Input Frequency: 50/60HZ
THD: < 20%
Power Factor Min: 0.90
Remote Mounting Distance: 18AWG -18 ft

Case Size: Series CM

Due to continuing efforts to offer improved products all specifications are subject to change without prior notice

INPUT VOLTAGE	INPUT CURRENT	INPUT WATTS	OUTPUT POWER WATTS MAX	OUTPUT VOLTAGE	OUTPUT CURRENT AMPS	MODEL
120	0.50A	58	50	24 to 40V	1.1A / 1.25A	NU1250D2C50WSD
277	0.22A					

LIMITED WARRANTY

5 YEAR at maximum case temperature 75 deg C. 3 YEAR at maximum case temperature 90 deg C. Manufacturer warrants to the purchaser: Product will be free from defects in material or workmanship from the date of manufacture conditioned upon proper storage, installation, use, and maintenance and conformance with any recommendations of Manufacturer

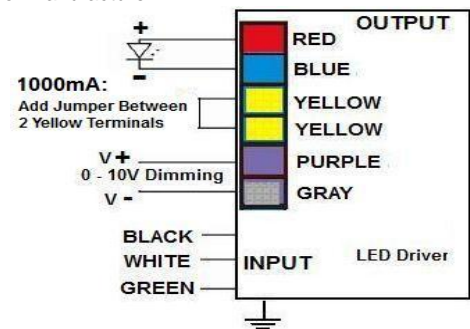
Lead Length

Colour	inch	cm
Black	2	5.1
White	2	5.1
Green	2	5.1

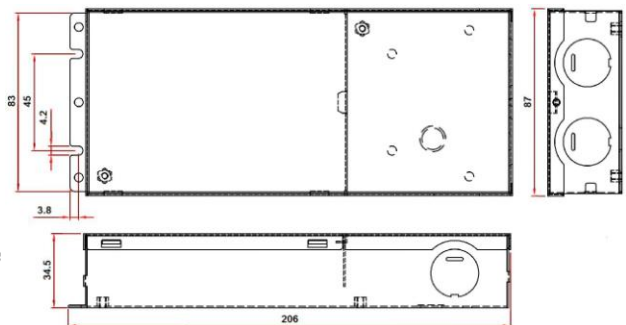
0-10V Dimmer

Compatibility Chart

LEVITON	LUTRON
DS710-10Z	NFTV
	DVTV-WH



Case Size:	L	W	H	ML
Sereis CM	206mm	87mm	34.5mm	45mm
	8.11inch	3.43inch	1.36inch	1.77inch



WARNING: Always Disconnect Power Before Handling.
Case Should be Grounded. Install in Accordance with National and Local Electrical Codes.