

347V LED DRIVER Programmable 30W 0-10V Dimming

Output Range 15V to 55V Current 0.35A to 1.25A Max 30W

Class 2 Small Case Size - Bottom Mount Studs with leads No Mounting Flange

347V Electronic **Programmable (NFC)** LED Driver 0-10V Dimming. Output Range of 15V to 55V for Single circuit 30W maximum.

Technical Specification:

Class 2 UL, CUL Recognized, ROHS Compliant
 EMI FCC Parts 18, Subparts C, Class A
 Rating: TL IP 64 Damp, Dry
 Output Open/Short Protection
 Min. Starting Temp: - 40° C
 Max. Case Temp: 90° C
 Typical Efficiency 82%

Input Voltage range: $\pm 10\%$
 Output Load range $\pm 5\%$
 Input Frequency: 50/60HZ
 THD: < 20%
 Power Factor Min: 0.90
 Remote Wiring Distance Full Load: 18AWG -18 ft
 Bottom Mount Studs No Mounting Flange

Case Size: Series C1B

Due to continuing efforts to offer improved products all specifications are subject to change without prior notice

5/9/16

INPUT VOLTAGE	INPUT CURRENT	INPUT WATTS	OUTPUT POWER WATTS MAX	OUTPUT VOLTAGE	OUTPUT CURRENT AMPS	MODEL
347	0.143A	37	30	15 - 55	0.35 - 1.25	PC1250C30WSBDIM

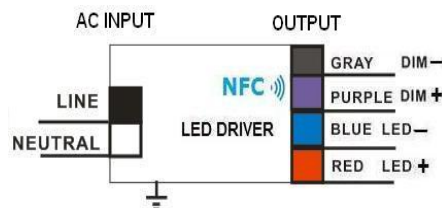
LIMITED WARRANTY

5 YEAR at maximum case temperature 75 deg C. 3 YEAR at maximum case temperature 90 deg C. Manufacturer warrants to the purchaser: Product will be free from defects in material or workmanship from the date of manufacture conditioned upon proper storage, installation, use, and maintenance and conformance with any recommendations of Manufacturer



Series C1B L W H
 Case Size: 116mm 63mm 30mm
 Bottom Feed 4.56inch 2.48inch 1.18inch

WARNING: Always Disconnect Power Before Handling.
Case Should be Grounded. Install in Accordance with National and Local Electrical Codes.

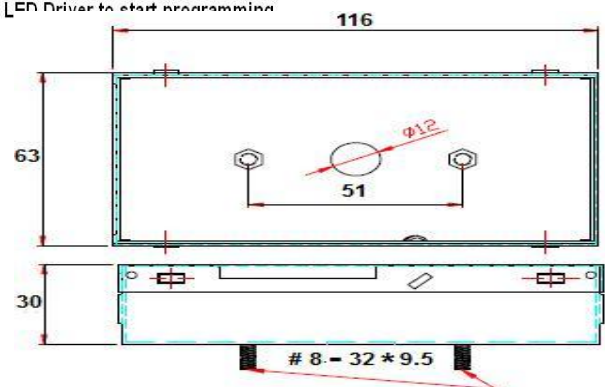


Place the Programmable wand above the NFC Mark on the LED Driver to start programming

0-10V Dimmer

Compatibility Chart

LEVITON	LUTRON
DS710-10Z	NFTV
	DVTV-WH



1500 Marine Drive, #200 North Vancouver, BC V7P 1T7
 TEL: 604-904-9533 FAX: 604-904-9634
 EMAIL: sagelighting@shaw.ca www.sagelighting.com

Sage Lighting Ltd.